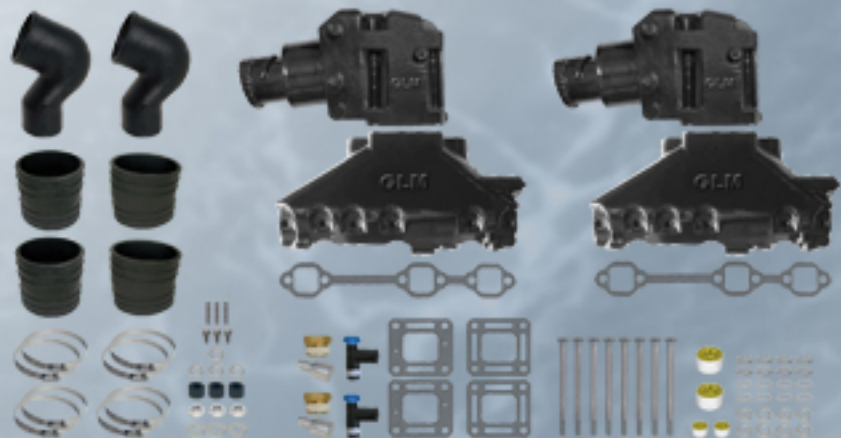


**59992**

OEM: N/A

**V6 Manifold Conversion Kit - Aluminum**

For Mercruiser V6 4.3L GM 262 CID (1996-2000)  
with Raw Water Cooling

**Kit Contains:**

| QTY | Description  | GLM   | OEM         |
|-----|--|-------|-------------|
| 1   | Two-piece Exhaust Manifolds & 4" Risers (includes gaskets) | 59225 | N/A         |
| 2   | Exhaust Tube   | 50750 | 14478T01    |
| 2   | Exhaust Bellow   | 89120 | 32-44348T   |
| 2   | Exhaust Bellow   | 89130 | 32-14358001 |
| 1   | Hardware Kit   |       |             |