

Mercruiser

V6, V8 SMALL BLOCK & V8 BIG BLOCK EXHAUST MANIFOLD DIMENSIONS

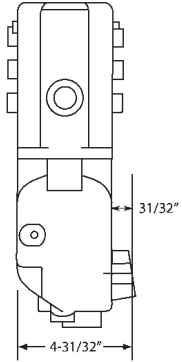
3 Inch Riser

4 Inch Riser

V6

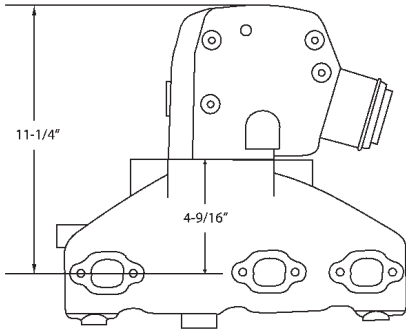
No. 51110

EXHAUST ELBOW
OEM: 98504A3



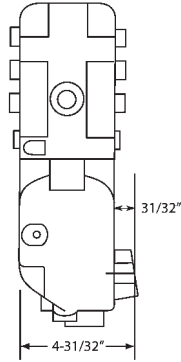
No. 51220

EXHAUST MANIFOLD
OEM: 99746A17



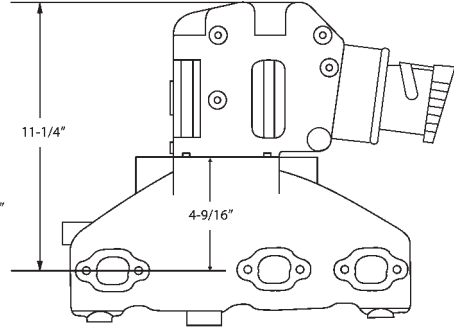
No. 51140

EXHAUST ELBOW
OEM: 807988A2



No. 51220

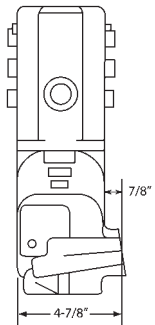
EXHAUST MANIFOLD
OEM: 99746A17



V8 Small Block

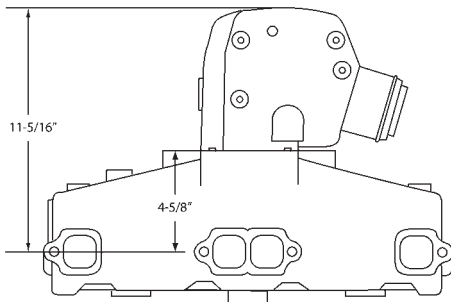
No. 51110

EXHAUST ELBOW
OEM: 98504A3



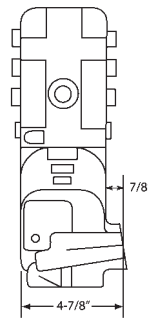
No. 51230

EXHAUST MANIFOLD
OEM: 860246A10



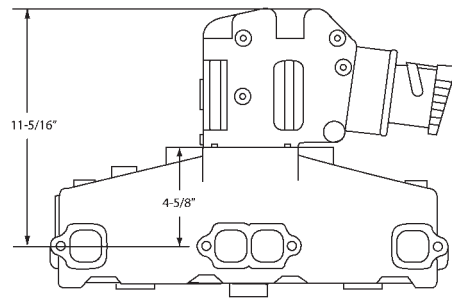
No. 51140

EXHAUST ELBOW
OEM: 807988A2



No. 51230

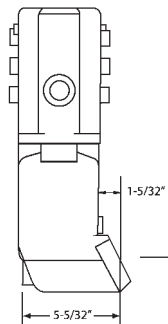
EXHAUST MANIFOLD
OEM: 860246A10



V8 Big Block

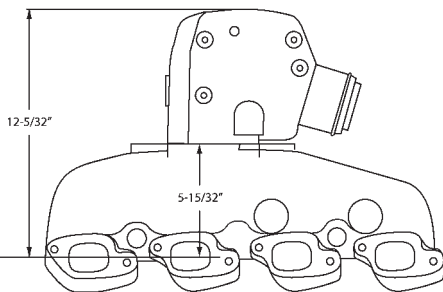
No. 51110

EXHAUST ELBOW
OEM: 98504A3



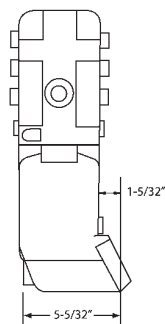
No. 51240

EXHAUST MANIFOLD
OEM: 807078A6



No. 51140

EXHAUST ELBOW
OEM: 807988A2



No. 51240

EXHAUST MANIFOLD
OEM: 807078A6

