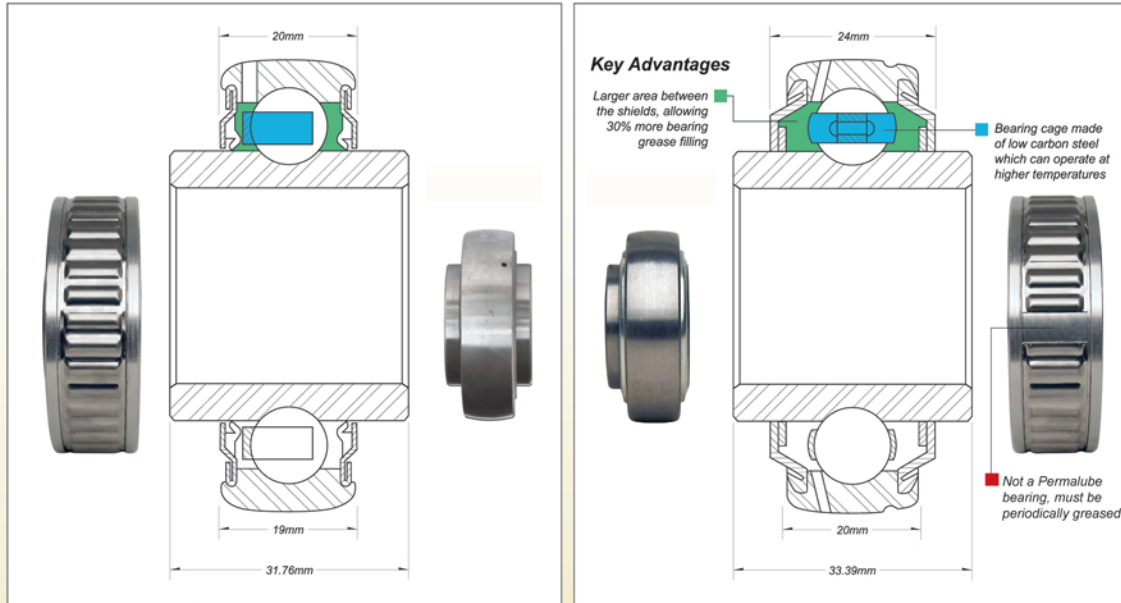




GIMBAL BEARING

The "Other" Brand

GLM



PRODUCT RELEASE DATE	
2005	1992
QUANTITY SOLD	
N/A	Over 200,000 pieces
PRICE	
N/A	Lowest on the market
BEARING CAGE MATERIAL	
PA66 Fiberglass (Plastic)	Low Carbon Steel
BEARING SHIELD MATERIAL	
Low Carbon Steel	Low Carbon Steel
BEARING SEAL MATERIAL	
Buna N (Nitrile)	Buna N (Nitrile)
BEARING GREASE FILLING	
4.5 grams (approx) of N.L.G.I. #2	8.00 grams (approx) of N.L.G.I. #2
LAB TESTING	
N/A	Passed 17 phases of extensive testing
BEARING HOUSING MANUFACTURER	
N/A	GLM Built in U.S.A.
TOLERANCE RING MANUFACTURER	
U.S.A. Tolerance Ring Co.	U.S.A. Tolerance Ring Co.
BEARING ORIGIN	
N/A	One of the world's largest leading bearing manufacturers with plants located worldwide

Cage made of PA66 fiberglass (plastic)

Cage made of low carbon steel

Maintenance Free!

No. 21906



GLM Products, Inc. - 705 Los Angeles Avenue - Monrovia, CA 91016 USA
(626) 357-0077 TEL - (626) 357-0600 FAX - info@glmmarine.com

www.glmmarine.com